

1 **DUOLIFT.270.AP35B.50.06.3**



: [99144940](#)

Wastewater collecting tank with a total volume of 270 liter.
Incl. pipeset to assemble on site with two pump of type UNILIFT AP35B.50.06.3

Effective pump volume per operation cycle from 31 up to 152 liter.
Discharge performance of 1,8 to 9 m³/h.
Effektive pump volume can be adjusted by controller setting.
Large assembly and service inspection cover ø380mm, screwed.

Connection ports:

1 x horizontal inlet DN100 with space saving inlet socket at a center height of 180mm
1 x horizontal inlet DN100 with space saving inlet socket at a center height of 520mm
1 x vertical inlet DN100 with space saving inlet socket
(incl. 1 x DN100 socket sealing)
1 x DN40 connection mit space saving socket to connect e.g. a diaphragm pump
(incl. 1x DN40 socket sealing)
1 x DN75/50 venting connection with PVC port (ø63), of PP-socket Muffe DN75 or possible to use a flexibler connecting piece DN75
Pre-assembled pipe clamps of sensor pressure tube DN50 delivered with a controller LC220/LC220

Tank according to EN12050-1 and -2 type tested and monitored by external institute.

Note:

"Assembly to a complete lifting station according to EN12050 requires pumps, non return valve, manual start option (part 1) and high water alarm as minimum incl. level sensing. These components are not part of the delivery

Components delivered to be assembled on site."

Recommended controller LC221.2 with up to 5 pre-set values of start/stop/alarm and incl. sensor pressure tube.

Material:

Collecting tank:	Polythylen (PE)
cover/lid:	Polythylen (PE)
Screws:	Galvanized Steel
Socket sealing:	Styrene Butadiene (SBR)
Piping parts:	Polyvinyl Chloride (PVC) and Polypropylen (PP)

Tank dimensions:

l x w x h: 700x600x750 mm
Weight: 46.1 kg

Liquid temperature during operation: 20 °C
 : 40 °C
 : 998.2 kg/m³

(Vortex)
 : 35 mm
 CE approved (Yes/No): Y
 EN number for LGA approval: 12050-2

1: 1 kW
 - 2: 0.6 kW

50 Hz
 : 3 x 380-420 V
 : +6/-10 %
 : 60
 : 1.55 A
 Cos phi - : 0,89
 : 2830 rpm
 : 2

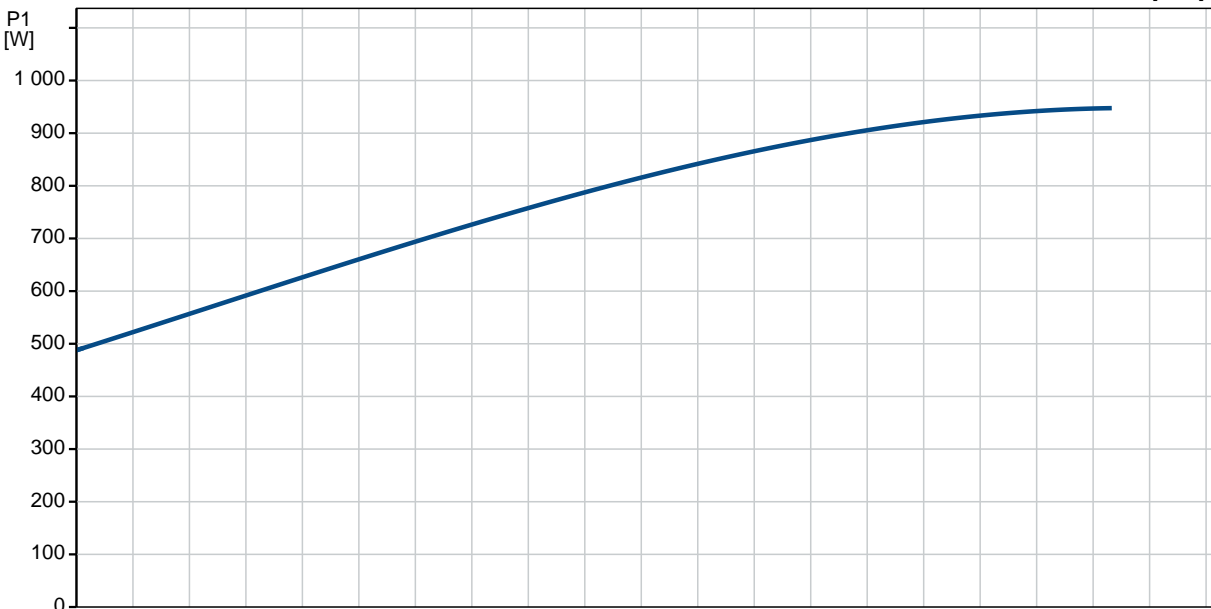
(IEC 34-5): IP68
 (IEC 85): F
 : 1.5 m

(): 270 l

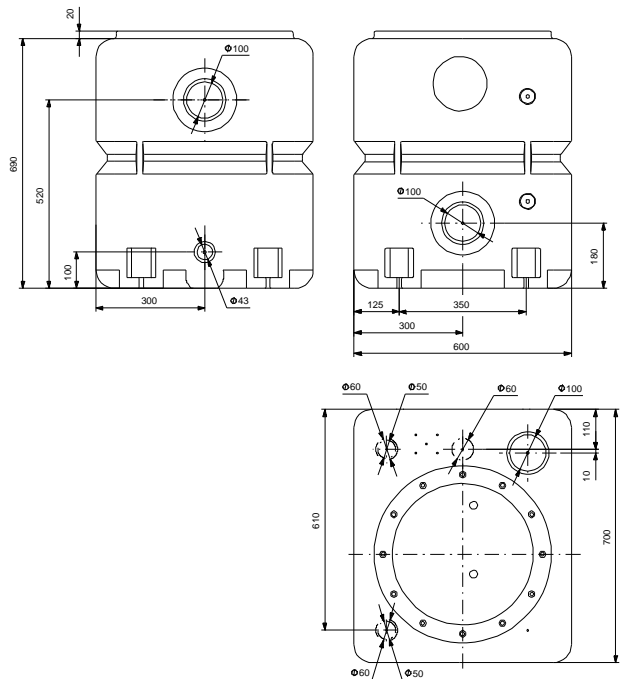
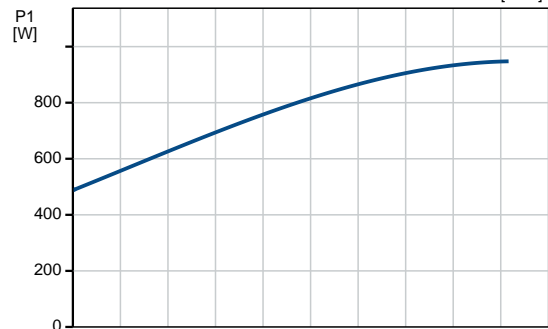
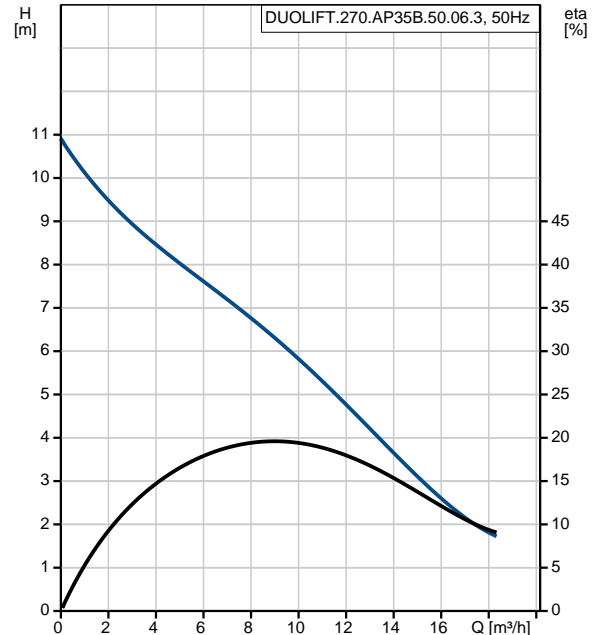
180 : 31 l
 250 : 152 l

: 46.1 kg
 : 56.5 kg

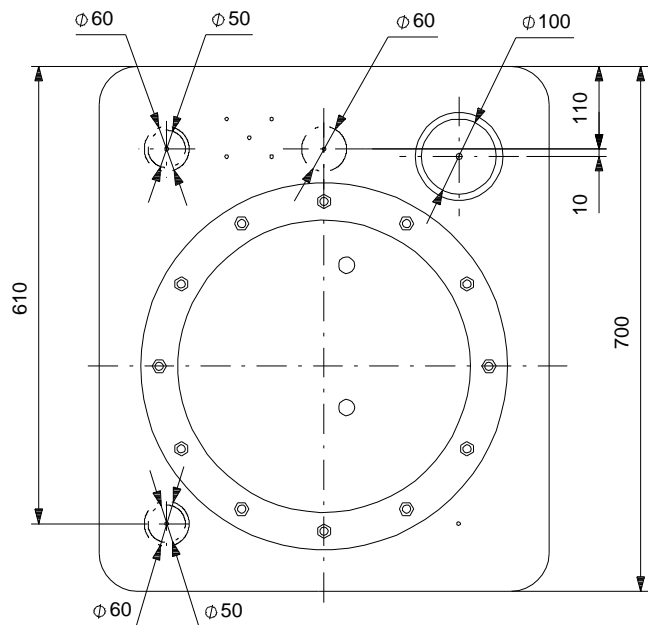
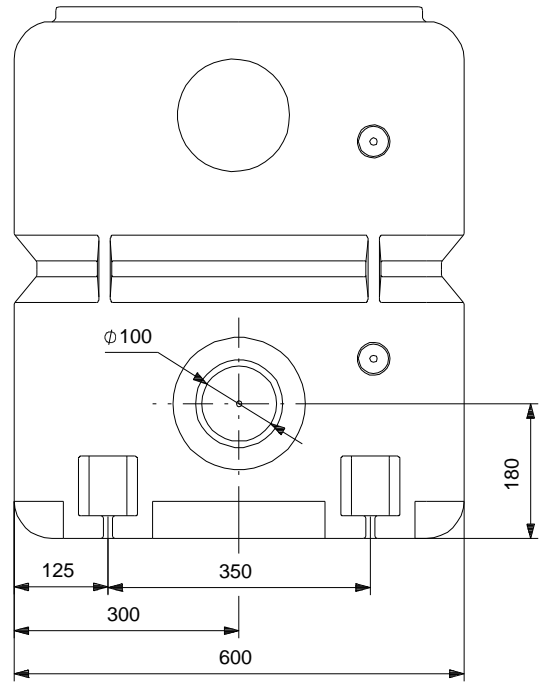
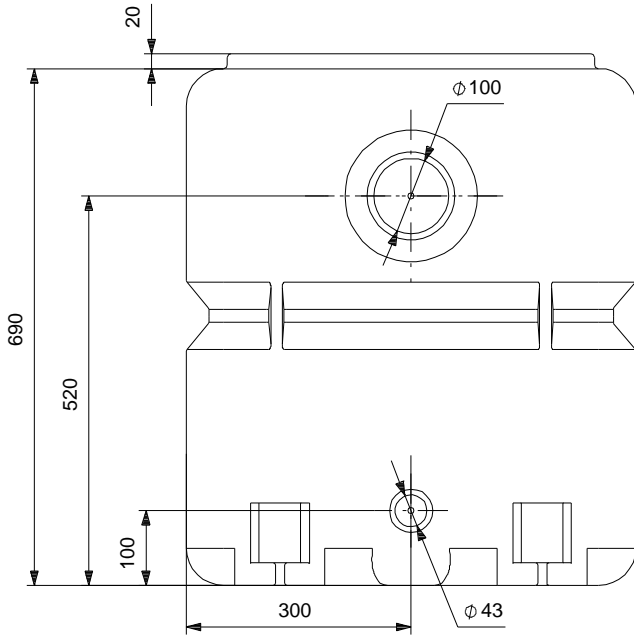
99144940 DUOLIFT.270.AP35B.50.06.3 50 Hz



		DUOLIFT.270.AP35B.50.06.3
No.:		99144940
EAN		5712607586775
		18 m ³ /h
		11 m
		(Vortex)
		35 mm
CE approved (Yes/No):		Y
EN number for LGA approval:		12050-2
		96004565
		40 °C
Liquid temperature during operation:		20 °C
		998.2 kg/m ³
		1 kW
- 1:		0.6 kW
- 2:		50 Hz
		3 x 380-420 V
		+6/-10 %
		60
Cos phi -		1.55 A
		0.89
		2830 rpm
		2
		(IEC 34-5): IP68
		(IEC 85): F
		5 m
		H07RN-F
		1.5 m
		CEE3P+N+PE
		270 l
180	():	31 l
250	:	152 l
		UNILIFT AP35B.50.06.3
		46.1 kg
		56.5 kg



99144940 DUOLIFT.270.AP35B.50.06.3 50 Hz



! [mm],